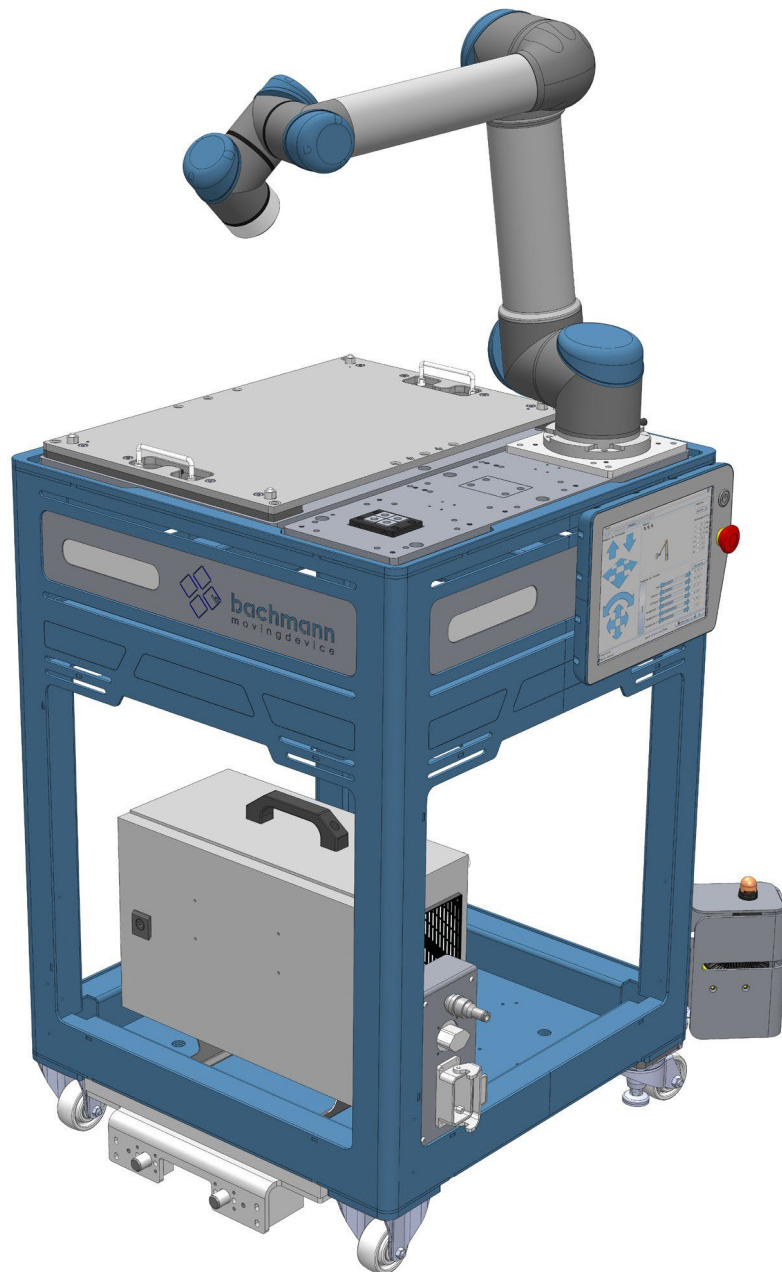


# BMD–Bachmann MovingDevice

Automation wherever it is needed



## Configurable

Can be adapted according to individual requirements

## Economic

Space requirement of less than 0,5m<sup>2</sup>

## Mobility

Movable due to castors wheels with standard coupling

## Low space requirement

The Bachmann MovingDevice is characterized by its small footprint of less than 0.5m<sup>2</sup> and can be easily and quickly added to a manufacturing and assembly process or a laboratory application.

The interfaces to the robot types UR3/ UR5 as well as UR10 are guaranteed; if required, other robots can also be implemented.

The robot control is integrated directly into the module. An additional control cabinet provides further I/O if required. Cable feed-throughs are used to easily feed signals directly to the robot.

## Flexibility

The Bachmann MovingDevice can be moved on wheels and is connected to the required system exactly where it is needed by means of a standardized floor or machine coupling.

Thanks to the multi-machine concept, the BMD can be positioned on different lines.

## Modularity

The Bachmann MovingDevice has a modular design and can be configured according to individual requirements. Indicator lights on all sides are used for status indication.

Enhanced personal and process safety is guaranteed with the Laser scanner.

To avoid dripping of liquids, a drip tray is integrated into the is integrated. A standardised machine interface is used for quick connection to your system.

